

OFFICE OF THE COLLECTOR & DISTRICT MAGISTRATE: NABARANGPUR.
(ST & SC DEVELOPMENT SECTION)

No 1334 /2019

Dated 11-7-2019

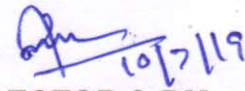
TENDER CALL NOTICE

Sealed tenders in the prescribed paper are invited from the intending Firms/Suppliers having valid GSTIN No. and ISO Certification for supply of RO based drinking water supply systems (RO Plant) in ST & SC Development Department residential schools of Nabarangpur District during the academic year, 2019-20. The minimum qualifying criteria for the Firms/Suppliers to participate in the tender are given in **Annexure – I**. The specification of each of the components of the RO based drinking water supply system is given in **Annexure – II**. The details of the tender call notice can be downloaded from the District website www.nabarangpur.nic.in. The tender paper can be obtained from the Office of DWO, Nabarangpur in any working day during the officials hours on payment of Rs. 10000/- only or can be downloaded from the District Website. The paper cost and EMD cost is as below;

Name of the work	PAPER COST	EMD COST
RO based drinking water supply system (RO Plant) with 500 Ltrs filtering capacity per hour	Rs. 10,000/-	Rs.78,000/-

The bidders who download tender paper online should pay the tender paper cost in shape of DD in favour of DWO, Nabarangpur. The Sealed quotations should reach to the Office of District Welfare Officer, ST & SC Development Section, Collectorate, Nabarangpur by **Registered Post or Speed Post only** on or before 29.7.2019 up to 5.00 P.M and it will be opened on 01.8.2019 at **11.00 A.M** at Collectorate, Nabarangpur in presence of the members of the Tender Committee and bidders. No sealed quotation shall be accepted after the due date. The above Tender is subject to the terms & conditions as given in **Annexure – III** of this tender call notice.

The Earnest Money Dues (EMD) and Tender Paper cost as indicated in the above table in item is to be deposited in shape of Bank Draft (SBI Bank, only) drawn in favour of the District Welfare Officer, Nabarangpur payable at SBI, Nabarangpur along with Tender documents. While the paper cost is non-refundable, the EMD is refundable. Transfer or adjustment of E.M.D will not be entertained. In case of shortfall of any required documents, Drafts for Tender Paper Cost and EMD, the bid will not be entertained and the same will be liable for rejection. **NO TENDERS WILL BE RECEIVED BY HAND OR BY COURIER SERVICE.** The undersigned will not be responsible for any delay in postal service.


COLLECTOR & DM,
NABARANGPUR

ANNEXURE - I

QUALIFYING CRITERIA FOR PARTICIPATING IN THE TENDER

1. The firm/supplier must be having GSTIN registration and ISO Certification for doing business in supply and installation of RO based drinking water supply systems.
2. The supplier should have experience in supply, delivery, installation and maintenance of minimum 100 Reverse Osmosis Water Treatment Units with a capacity not less than 500 LPH in any State Government Educational Institutions during last three years (i.e., from 2016 -17 to 2018 -19). The bidder should submit work completion certificate from the appropriate authority in support of his claim of installing the above number of RO plants.
3. The bidder also should submit separate financial bid (of course in the same cover where the technical and financial bids for the RO plans would be placed) for the cost of AMC (Annual Maintenance Contract) for a single RO plant as specified in the specification sheet.
4. The bidder has to submit a certificate issued by the user Department/ Govt Agency regarding his satisfactory annual maintenance of RO plants for the last two years.
5. The bidder should furnish latest audited GST report in Form-9 or Form-9 (C) as per GST Rules , VAT clearance certificate valid up to 31.3.2020 and GST return filing up to June 2019.
6. The bidder should have an average annual turnover (certified by Auditor) of not less than Rs.3, 00, 00,000/- on similar order (supply and installation of RO plants only) in the past three years (i.e., from 2016 -17 to 2018 -19). Documentary evidence is must.
7. The bidder has to enclose income tax returns including audited balance sheets and computational statements of the past three financial years.
8. The bidder should have in house design & development capability to take care of any modifications required to their products to suit the needs of the Department.
9. The bidder should not have been blacklisted by any State/ Central government and local authorities for breach of contracts in any supplies or work in the past.



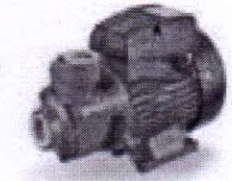
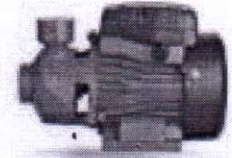
10. The bidder should be willing to get the manufacturing facilities inspected by the tender committee to judge the level of competency for undertaking the project.
11. Tenders must be accompanied with earnest money deposit as specified in the tender documents.
12. The Bidder shall have sufficient manufacturing facilities and skilled labour. A proof of available machinery and skilled labour has to be enclosed.
13. The bidders who are registered under NSIC Limited shall have special preference in the selection process per NSIC Rules.


16/12/19
**COLLECTOR & DM,
NABARANGPUR**

ANNEXURE-II

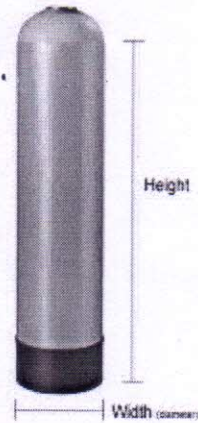
500LPH RO PLANT -Equipment Technical Specifications

Raw water Pump	
Make	LEO/Equivalent
MOC	Cast Iron
Impeller	Stainless Steel, AISI 304
Max. Liquid Temp.	80 degrees cel.
Max. Suction	8 mtrs
Type	Mono block
Model	LEO ACM 37
Thermal Protector	Built in
Protection Class	IPX4
Discharge	1.1 cum/hr
Head	2.5 kg/cm2.
Motor	0.37 kw 1 Φ
Motor Winding	Copper
Voltage	200-240 V
frequency	50Hz
Suction / Delivery	25 mm
Quantity	01 No. (1w)



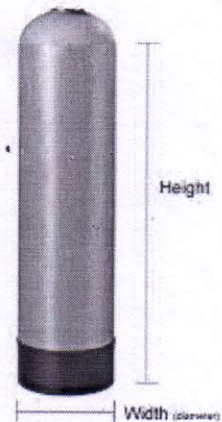
Pressure sand filter	
Make	Alfa
Type	Down flow
Model	FD 50
Diameter	300 mm
Height	1200 mm
MOC	FRP
Capacity	1.0 m3/hr
Filtering media	40 kg 16/32
Type of Media	Graded Pebbles, sand
Valve	20 NB TM MPV F
Quantity	01 No.



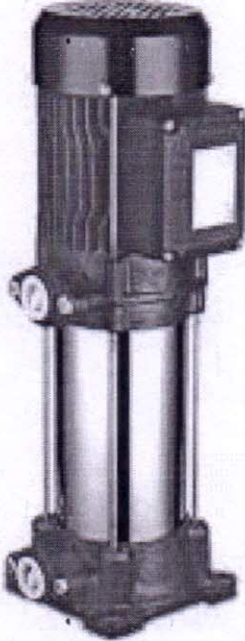
FilterWater.com
Tank Volume
Calculation



Activated carbon filter	
Type	Down flow
Model	FC 50
Diameter	300 mm
Height	1200 mm
MOC	FRP
Capacity	1.1 m3/hr
Carbon	20 kg
Type of Media	ACG 60 Grade Carbon
Media material	Coconut Shells
Valve	20 NB TM MPV F
Quantity	01 No.

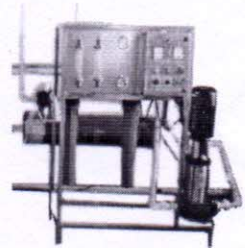
FilterWater.com
Tank Volume
Calculation



Fully automatic multi port valve			
Maximum Flow Rate	4m ³ /Hr @ 0.5 Kg/cm ² Pressure Drop		
End Connections	1" BSP		
Pressure Gauge Sampling Points	¼" BSP		
Maximum Operating Pressure	5 Kg/cm ²		
Riser Pipe Size (Top mount models only)	32 mm OD PVC Pipe		
Drain	2" Hose Elbow		
Valve Connection to Vessel (Top Mount Type Only)	2½" NPT(M) or 4" NPT(M)		
Micron cartridge filter			
Model	20" Blue		
Specifications	5 micron, 20" long		
Diameter	2.5"		
Capacity	1.0 m ³ /hr		
MOC of housing	ABS		
MOC of cartridge	PP Spun		
Quantity	02 No.		
High Pressure Pump			
Make	LEO/Equivalent		
Type	Vertical multistage		
Model	LEO EVPM 2-9		
Discharge	1.1 cum/hr		
Head	11 kg/cm ² .		
Motor	1.5 kw 3 Φ		
Max. Liquid Temp.	80 degrees cel/		
Max. Suction	8 mtrs		
Max Discharge	1200 mtrs		
Max Pressure	12 BAR		
Impeller stages	6		
Motor Winding	Copper		
Thermal Protector	Built in		
Protection Class	IPX4		
Voltage	200-240 V		
frequency	50Hz		
Suction	25 mm		
Delivery	25 mm		
Quantity	01 No. (1w)		



Reverse Osmosis System	
Capacity	500 LPH
Module type	Spiral wound
Membrane specification	TFC Polyamide
Make of membrane	Olttramare/ GE
No of membrane	2 no
No of housing	2 no. (40-250-1)
Quantity	01 set.





Electrical control panel	
Model	GSM based – Real time data transfer to Web, Android App and two mobile phones.
Type	RO 13 with Conductivity display
Make	Wave
Quantity	01 No.
Description	AC Low and High Voltage protection to prevent pumps damage.
	Float for Raw Water Tank, Dosing Tank & Treated Water Tank given.
	Low Pressure & High Pressure Switches.
	TDS & Conductivity display on screen.
	LED Indications to show the Power ON, Raw water tank, Auto Flush, HPP, TWT, HPS, LPS & RWP
	Product design should be as per international safety standards of IEC 60950.
	4 line LCD - to show all plant information on the site.
	GSM based – Real time data transfer to Web, Android App and two mobile phones.
	Through App and Mobile phone, RO plant can be controlled for all its functions.
	If RO plant shutdown, the fault reason will be communicated through SMS to owner for immediate action.
Two Flow sensors can be connected; it will show the Treated & Reject water flow in the display.	
Control Panel shows the RO plant total delivered water Qty from starting to till date.	



(Handwritten mark)

	All flow sensors automatically calibrate, based on RO plant capacity.	
	Auto setting of Raw Water & High Pressure Pump current.	
	Manual setting option also available for set the Raw Water & High Pressure Pump current.	
	AC Low and High Voltage protection to prevent pumps damage.	
	Auto Flushing / Flush Cycle setting.	
	Floaty for Raw Water Tank, Dosing Tank & Treated Water Tank.	
	Low Pressure & High Pressure Switches.	
	TDS & Conductivity.	
	All type / Mfr's of Auto Multi Port Valves can be connected.	
	RO panel provide supply and controls the UV, SV & Dosing Pumps.	
	User friendly – Average plant setting time is less than 10 minutes.	
	LED Indications to show the Power ON, Raw water tank, Auto Flush, HPP, TWT, HPS, LPS & RWP.	
	Control Panel can be supplied on your brand name.	
	Password protection to prevent un-authorized changes at plant level.	
	RO panel having default factory settings option.	
	If any electronic PCB's failed in the control panel, still RO Plant runs in Manual mode.	
	Product design followed as per international safety standards of IEC 60950.	
	ISO 9001 certified company with state of the art manufacturing facility.	

Ultra Violet System Description		
MOC	SS 304	
Flow rate	500 LPH	
Power rating	36W	
Power supply	220V	
UV Lamp Intensity	18w	
Burning Hours	8000	
Input water pressure	2kg/cm2	
Lamp make	Phillips	
I/O	12.5mm	
Product water tank		
Type	Vertical	
MOC	SS 304	
Capacity	1000 liters	
Thickness	1mm	
I/O	25mm	
Mounting	Stand mounted	
Raw water tank		
Type	Vertical	
MOC	HDPE	
Capacity	1000 liters	
Thickness	Triple layer	
I/O	25mm	
Mounting	Flour mounted	


 10/7/16
COLLECTOR & DM,
NABARANGPUR

ANNEXURE - III
TERMS & CONDITIONS


1. The bidder should submit technical bid, price bid, and AMC bid in separate forms and on each form the bid type should be clearly super scribed. All these three bids should be again put in a single large envelop before mailing it, to the office of DWO, Nabarangpur.
2. The general scope of this tender includes supply and installation of RO Treatment Plant, storage tank, plant internal plumbing, and plant internal electrification.
3. The supplier shall quote price for RO Treatment Plant which shall include cost of RO Treatment Plant with all accessories, plumbing and electrical work from raw water storage tank and RO plant, plumbing work from RO plant to treated water storage tank and installation of the same.
4. Wherever it is inevitable, the window of the room shall be removed to install treated water storage tank and it shall be re-fixed by the bidder and the cost fixed by ITDA will reimburse to the bidder. The bidder should not quote any charges for this item in the Financial Bid.
5. The financial bids of only those bidders who technically qualify shall be opened on the day of opening the tender. The price bids of those bidders who do not technically qualify will not be opened at all.
6. The tender committee reserves the right to inspect the factory premises to know the output capacity and quality.
7. The bidder has to sign on all pages of the tender document as having accepted all the terms and conditions of the tender. Tenders, which are not signed on all the pages, will be summarily rejected.
8. The rate must be quoted on comprehensive basis (cost inclusive of all duties, cess and taxes including transportation charges to the destination, which covers all over the district of Nabarangpur strictly in the format given at Annexure II.
9. Any deviation will be considered as breach of contract and will be dealt accordingly.
10. The authority has every right to reject/accept any/all the tender(s) without assigning any reason.



11. The authority reserves the right to decide the quantity based on the availability of funds.
12. Applications received without complete documents/information shall not be considered.
13. The authority has every right to finalize the tender after negotiations with the lowest bidder regarding prices and other conditions.
14. The defective material/work if found shall be replaced/redone by the supplier free of cost.
15. The supplier has to undertake all repairs, replacements and maintenance during the 12 months period of warranty
16. The work in all respects should be completed within 30 days after receiving the Purchase Order.
17. The Reverse Osmosis Water Treatment Units have to be delivered, and commissioned at various locations of the district.
18. A photograph shall be taken at the time of installation and trial run and shall be enclosed to the invoice for arranging payment.
19. The Bidder should avoid over writings and corrections. However if such corrections and over writings become inescapable, these are to be properly and legibly corrected. Offers with correction/ over writing should be properly attested by the Bidder at every correction.
20. Representatives of Bidder desirous to attend the tender opening, can do so, on production of a proper letter of authority from the respective Bidder, failing which they may not be allowed to attend the tender opening. Authorized representatives of those bidders who have submitted the tender documents alone shall be allowed to attend the tender opening.
21. In all cases of dispute, the decision of the tender committee shall be final.
22. Any dispute or any matter arising out of contract or incidental there to under this enquiry shall be subject to jurisdiction of a competent court of law in Nabarangpur alone and not in any other place.



23. The authority is not responsible for deduction and payment of taxes to Government. It is the responsibility of the supplier to pay whatever taxes or cess to the appropriate head of account.
24. The paper cost should be submitted for the items for which tender is submitted. The cost of tender paper is not refundable.
25. The tender paper in sealed cover must be accompanied by required EMD in favour of the District Welfare Officer, Nabarangpur in shape of Bank Draft/Banker Cheque payable at SBI, Nabarangpur, which will be refunded immediately to the unsuccessful Tenderers after finalization of Tender and to the Successful Tenderers after full supply of procurement items.
26. The Tender paper is to be addressed to the District Welfare Officer, Nabarangpur and on the top of the cover should be super scribed "**Tender paper for supply and installation of RO Based Drinking Water Supply System in ST & SC Development Department Residential Schools of Nabarangpur District in the State of Odisha**".
27. The successful Bidder will have to deposit Security amount 5% of the total cost of articles, in shape of Bank Draft in favour of **District Welfare Officer, Nabarangpur, payable at SBI, Nabarangpur.**
28. If the supplier fails to supply the articles with in stipulated period, the order will stand automatically cancelled and the EMD & security money will be forfeited to Government.
29. The successful bidder should replace any damage materials or if arose any incorrect Specification of RO based drinking water supply system, (RO Plant) should replace immediately to concerned H.Ms/H.Mrs.
30. During finalization of Tender by Dist. Purchase Committee to place of supply order to lowest Price quoted unit is not mandatory if, pointed out low quality of the system, the committee shall consider the next rate quoted unit observing quality of the Tender sample items.
31. The authority reserves the right to reject any or all Tender without assigning any reasons thereof.


10/7/19
**COLLECTOR & DM,
NABARANGPUR**

**TENDER SCHEDULE FOR SUPPLY AND INSTALLATION RO BASED
DRINKING WATER SUPPLY SYSTEM (RO PLANT) FOR SSD
RESIDENTIAL SCHOOLS OF NABARANGPUR DISTRICT FOR THE
YEAR,2019-20**

Sl.No	Item	Description of Specification	Rate quoted per Unit (inclusive of all Taxes.)
01	RO based drinking water supply system (RO Plant)		

N.B: Rate quoted should be inclusive of all taxes to School Points.

Signature of the supplier/authorized dealer/

Seal

2

**TENDER SCHEDULE FOR SUPPLY AND INSTALLATION RO BASED
DRINKING WATER SUPPLY SYSTEM (RO PLANT) FOR SSD
RESIDENTIAL SCHOOLS OF NABARANGPUR DISTRICT FOR THE
YEAR,2019-20**

Sl.No	Item	Description	Rate quoted per Unit (inclusive of all Taxes.)
01	Charges for AMC per RO Plant		

N.B: Rate quoted should be inclusive of all taxes to School Points.

Signature of the supplier/authorized dealer/

Seal

